

HSF RoHS

REV	ECN NO	DESCRIPTION	DATE	NAME
A		NEW		

Note:

1.Material

1.1: Housing: NY66, Color:White

1.2: Contact: Brass,Tin.

2.Rating:

2.1: Operating Voltage: 250V AC/DC.

2.2: Current Rating: 10A AC/DC.

2.3: Operating Temperature:-25°C~+85°C.

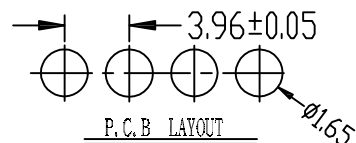
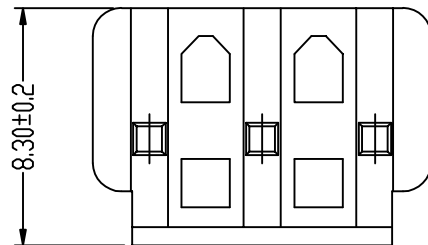
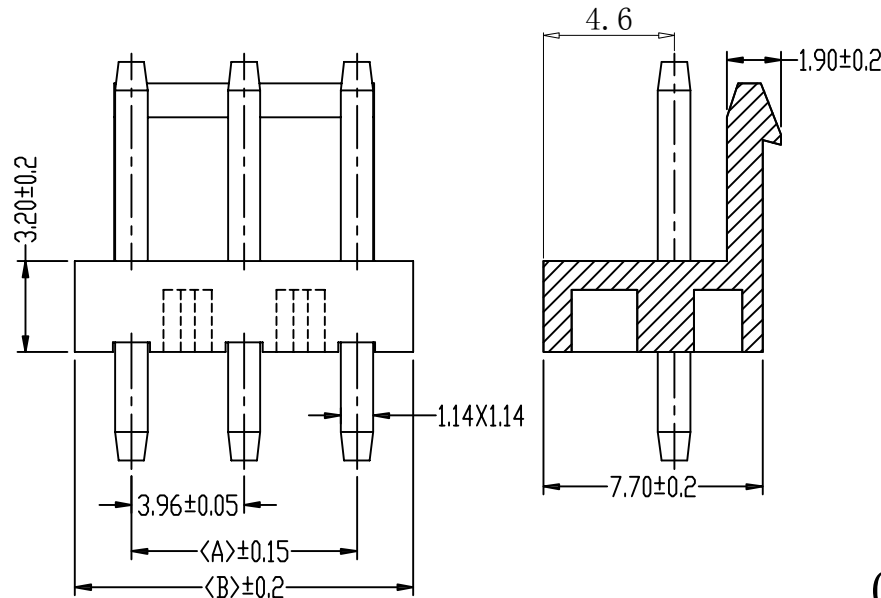
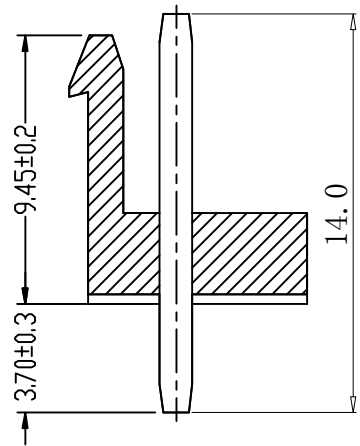
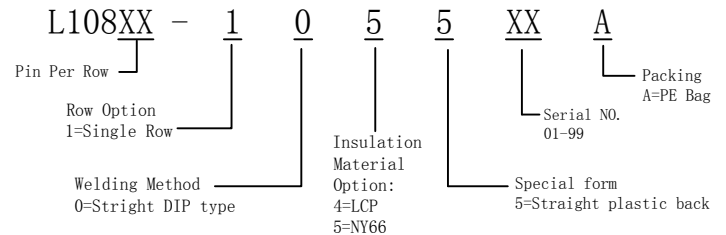
2.4: Contact Resistance:30 mΩ max.

2.5: nsulation Resistance:1000 MΩ min.

2.6: Dielectric withstanding Voltage: AC 1500V

3.Pater Number:

Ordering Information



PIN NO.	Dimensions	
	A	B
2P	3.96	7.92
3P	7.92	11.88
4P	11.88	15.84
5P	15.84	19.80
6P	19.80	23.76
7P	23.76	27.72
8P	27.72	31.68
9P	31.68	35.64
10P	35.64	39.60
11P	39.60	43.56
12P	43.56	47.52
13P	47.52	51.48
14P	51.48	55.44
15P	55.44	59.40
16P	59.40	63.36

STANDARD TOLERANCE (EXCEPT SPECIFIED)	
LINER	ANGLES
.0 ±0.30	0.° ±3°
.00 ±0.20	.0° ±2°
.000 ±0.10	.00° ±1°

LDCONN 东莞连大精密制品有限公司 DongGuan LianDa Precision Products Co., LTD									
TITLE		PH3.96mm Wafer Single row, DIP straight type with Straight plastic back		DRAWN BY		WZG		17.03.30	
PART NO		L108XX-1055XXA		CHECKED BY					
DRAWING NO				APPROVED BY					
SCALE	1:1	UNIT	mm	PAGE	1/1	SIZE	A4		