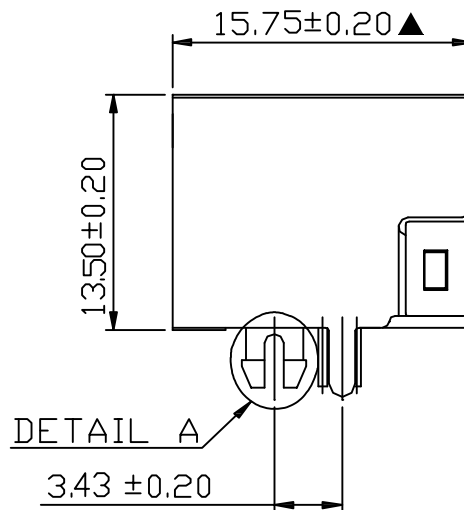
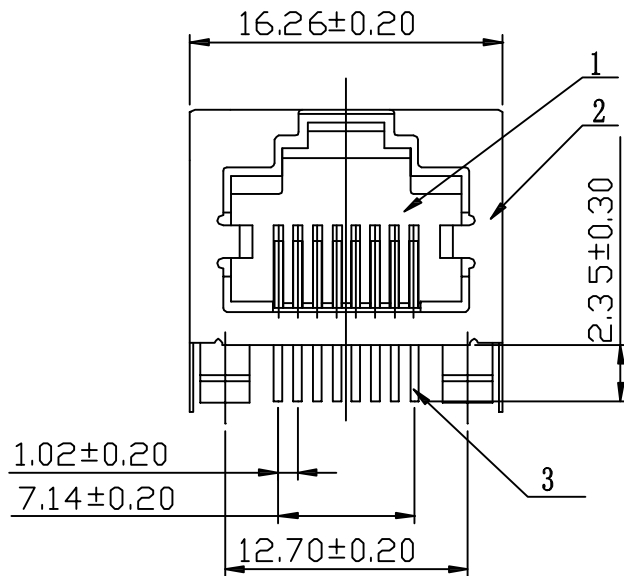


HSF RoHS

REV	ECN NO	DESCRIPTION	DATE	NAME
A		NEW		



NOTES:

MATERIAL:

- 1. HOUSING MATERIAL :GLASS FILLED POLYESTER UL94V-0.
- 2. CONTACT MATERIAL :PHOSPHOR BRONZE t=0.30mm.
- 3. PLATING :SELECTING GOLD PLATING 1u"~50u" OVER NICKEL IN CONTACT AREA. 150u" TIN PLATING OVER NICKEL IN SOLDER AREA
- 4. SHIELD: :0.20mm THICKNESS COPPER ALLY WITH NICKEL PLATE

ELECTRICAL:

- 1. VOLTAGE RATING :125 VAC RMS.
- 2. CURRENT RATING :1.5 AMP.
- 3. CONTACT RESISTANCE :30 MILLIOHMS MAX.
- 4. INSULATION RESISTANCE :500 MEGOHMS MIN @ 500V DC .
- 5. DIELECTRIC WITHSTANDING RESISTANCE :1000V AC RMS 50Hz. 1MIN.

MECHANICAL:

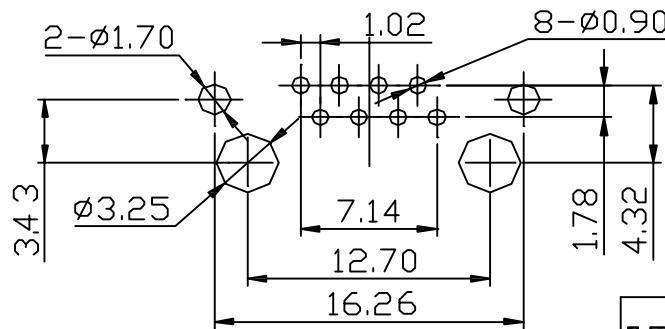
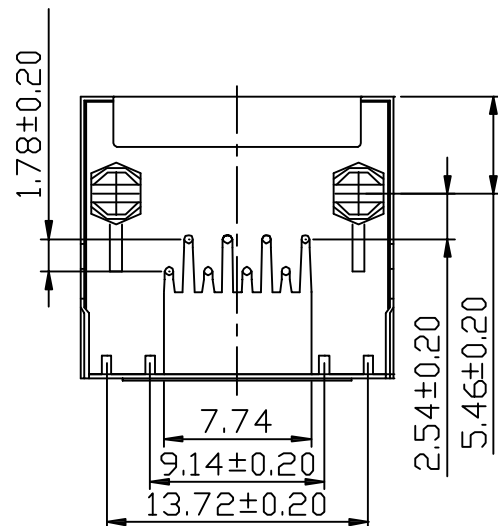
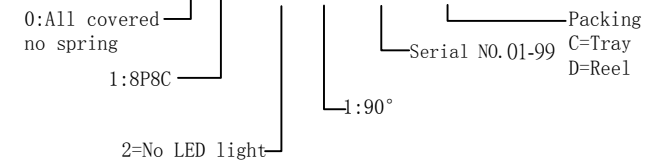
- 1. DURRABILITY: :750 CYCLES MIN.
- 2. PCB RETENTION PRE-SOLDER :1 LB MIN.

ENVIRONMENTAL:

- 1. STORAGE : -40° C TO 85° C.
- 2. OPERATION : 0° C TO 70° C.

Ordering Information

L600XX -X X XX X



RECOMMEND P.C.B Layout
PCB TOLERANCE:±0.05

STANDARD TOLERANCE (EXCEPT SPECIFIED)	
LINER	ANGLES
.0 ±0.30	0.° ±3°
.00 ±0.25	.0° ±2°
.000 ±0.15	.00° ±1°

LDCONN 东莞连大精密制品有限公司 DongGuan LianDa Precision Products Co., LTD									
TITLE		RJ45 8P8C No LED Light And No Spring		DRAWN BY		Lujunhui		18.04.17	
PART NO		L60001-210XC		CHECKED BY					
DRAWING NO				APPROVED BY					
SCALE	1:1	UNIT	mm	PAGE	1/1	SIZE	A4		