

HSE ROHS

REV	ECN NO	DESCRIPTION	DATE	NAME
A		NEW		

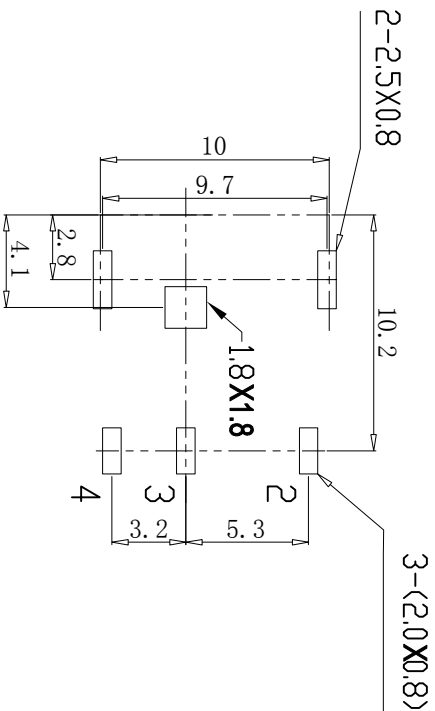
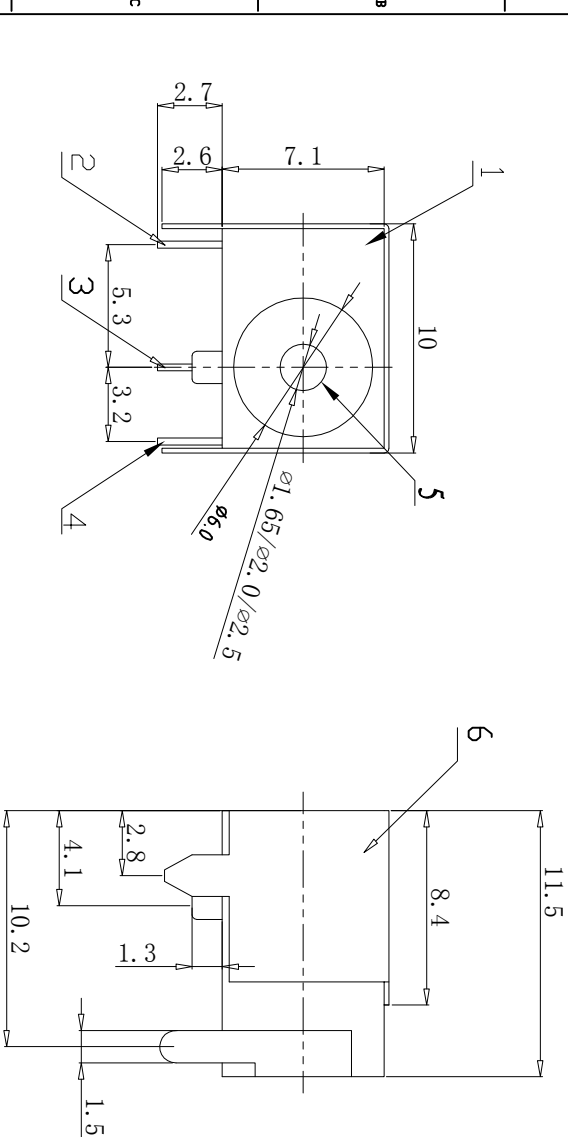
SPECIFICATION

1. Rating: DC 30V 2.5A
2. Contact resistance: $\leq 0.03\Omega$
3. Insulation resistance: $\geq 100M\Omega$ (DC250V)
4. Withstand voltage: 500VAC
5. Insertion and extraction force: 3-25N
6. Life test: 5000 cycles.

Ordering Information

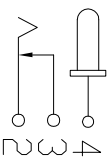
L781 20 - 60 1 2 XX X

Mandrel diameter: $20 \pm 0.0MM$
 Hole Diameter: $60 \pm 0.0MM$
 Welding method: structure
 I-Right Dip Type 2-Right Dip Type
 Packing: C=Tray D=Reel
 Serial No. 01-99



线路板开孔尺寸
P.C.B LAYOUT

按点示意图 SCHEMATIC



STANDARD TOLERANCE (EXCEPT SPECIFIED)	
LINER	ANGLES
0 ± 0.30	0.° $\pm 3^\circ$
.00 ± 0.25	.0° $\pm 2^\circ$
.000 ± 0.15	.00° $\pm 1^\circ$

NO.	DESCRIPTION	QTY	MATERIAL	PLATING
6	Shell	1	C2680	SN-Plating
5	Center axis	1	H59	SN-Plating
4	PIN	1	C2680	SN-Plating
3	PIN	1	C2680	SN-Plating
2	PIN	1	C2680	SN-Plating
1	Insulator	1	PBT	Black

LDCONN 东莞连大精密制品有限公司
DongGuan LianDa Precision Products Co., LTD

TITLE	DRAWN BY	WZG	17.04.10
DC JACK-3P Right DIP Type, With Shell			
PART NO	CHECKED BY		
L78020-6002XXX			
DRAWING NO	APPROVED BY		
SCALE	UNIT	mm	PAGE
1:1			1/1
			SIZE
			A4