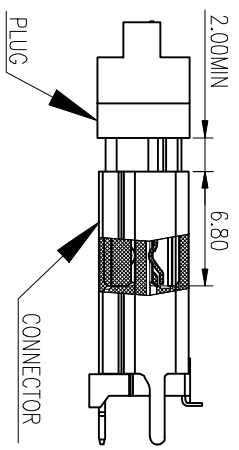
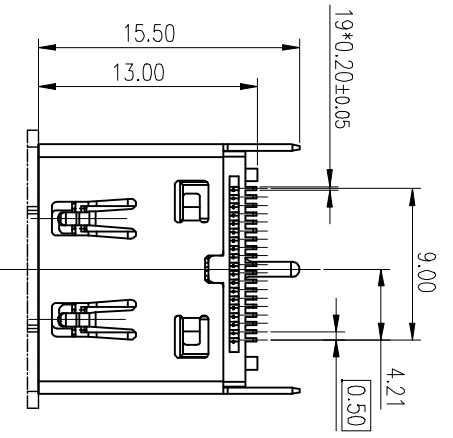
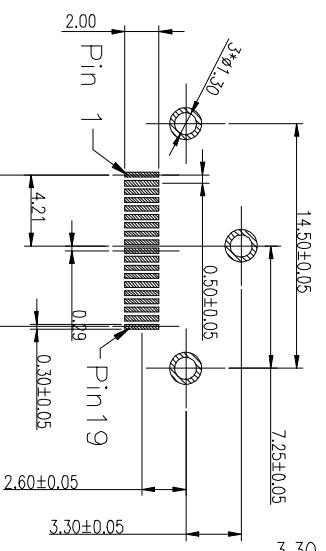
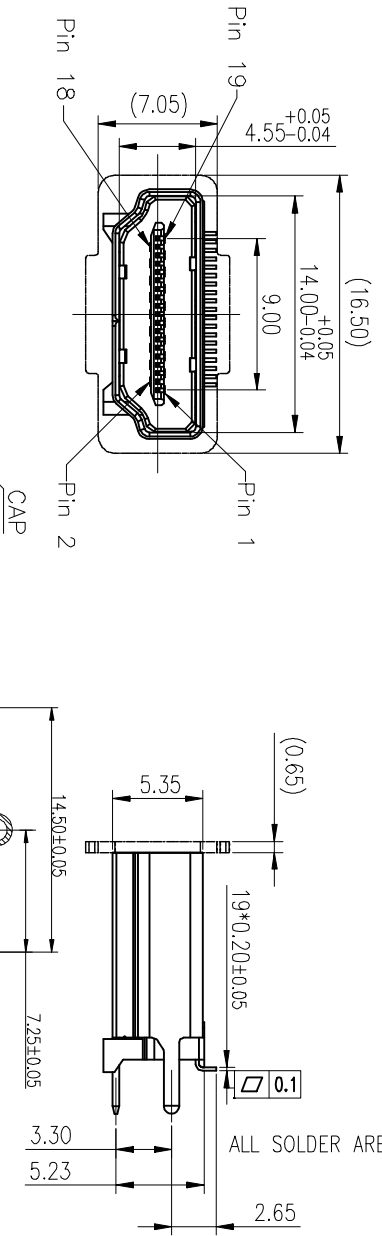


HSE ROHS

REV	ECN NO	DESCRIPTION	DATE	NAME
A		NEW		



RECOMMENDED METHOD OF MATE
SCALE 1:1



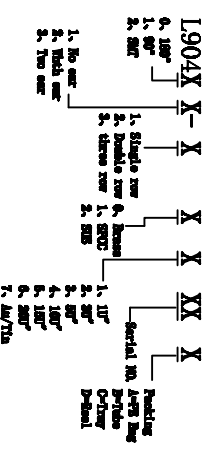
RECOMMENDED PCB LAYOUT (TOP VIEW)
THICKNESS=1.60±0.05 DEFAULT TOLERANCE ±0.05

ALL SOLDER AREAS

NOTES:

- MATERIAL SPECIFICATION.
 - HOUSING: LCP+40%GF BLACK UL 94V-0
 - CAP: LCP+40%GF BLACK UL 94V-0
 - CONTACT: BRASS C2680
 - SHELL: STAINLESS STEEL SUS304.
- PLATING SPECIFICATION
 - CONTACT: Ni: 50u" MIN. UNDERPLATED OVER ALL. Au G/F PLATED ON THE FUNCTIONAL AREA OF CONTACT, AND MATTE Sn 100u" MIN. PLATED ON SOLDER AREA.
 - SHELL: PLATING Ni 30u" MIN OVER ALL.
- MECHANICAL PERFORMANCE
 - INSERTION FORCE: 4.5Kgf MAX.
 - REMOVAL FORCE: 1.0~4.0Kgf
 - DURABILITY: 10000 CYCLE.
- ELECTRICAL PERFORMANCE
 - CURRENT RATING: 0.5A MIN.
 - ILCR: CONTACT: 30 mΩ MAX., SHELL: 50 mΩ MAX.
 - INSULATION RESISTANCE:
 - UNMATED: 100 MΩ MIN. AT 500V DC
 - MATED: 10 MΩ MIN. AT 150V DC
 - DIELECTRIC WITHSTAND VOLTAGE:
 - 300V AC/60S(MATED), 500V AC/60S(UNMATED).
 - IR REFLOW: THE PEAK TEMPERATURE ON THE BOARD SHALL BE MAINTAINED FOR 10 SECONDS AT 260±5°C.

Ordering Information



LDCONN 东莞连大精密制品有限公司		Dongguan LianDa Precision Products Co., LTD	
TITLE	HBL1/R-X 180° SMT COVER	DRAWN BY	Lu Junhui
PART NO	L90421-12XXXD	CHECKED BY	
DRAWING NO		APPROVED BY	
SCALE	1:1	UNIT	mm
		PAGE	1/1
		SIZE	A4

STANDARD TOLERANCE (EXCEPT SPECIFIED)	LINER	ANGLES
.0 ±0.30	0.°	±3°
.00 ±0.25	.0°	±2°
.000 ±0.15	.00°	±1°