

HSE RoHS

REV	REV NO	DESCRIPTION	DATE	NAME
1		NEW		

Technical Specs:

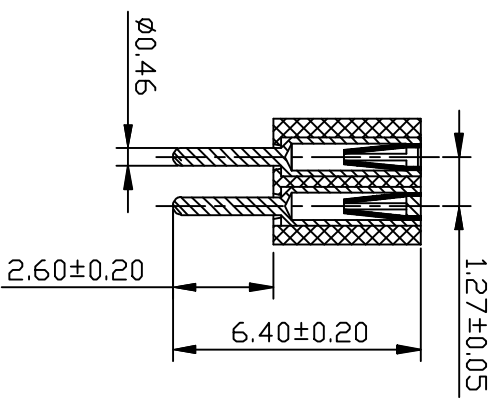
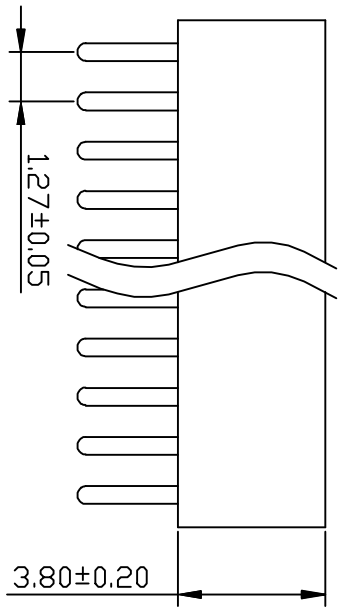
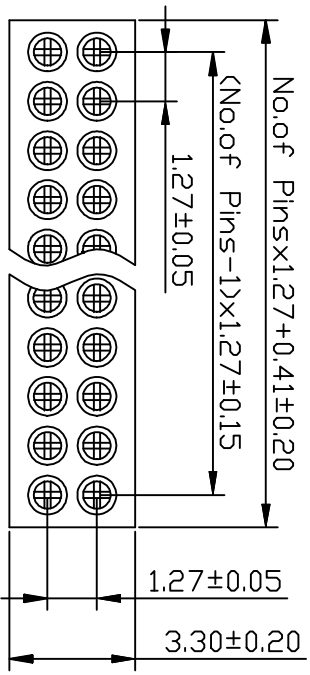
Insulator: Black glass filled polyester PPS-GF30-FR
 Flammability: UL 94V-0
 Sleeve: Brass CuZn36Pb3(C36000)
 Contact clip(4 finger):Beryllium copper(C17200)
 Accepted pin: $\phi 0.38$ to 0.50mm
 Forces: (polished steel gauge $\phi 0.41\text{mm}$)
 -Insertion 0.5N Typ
 -Withdrawal 0.2N Typ
 Mechanical life: min500 cycles
 Rated current: 1A
 Contact resistance: max 20m Ω
 Dielectric resistance: min 500V RMS

Coplanarity SMD max 0.1mm(measured on terminations: 25mm long connectors)

Ordering Information

L488XX - X X XX X

NO. of Pins Per Row: 01-40P
 The connection method $\phi 0.46$ 180°
 Contact Plating
 1=Gold flash
 2=Au/Tin
 3=Tin
 Packing
 A=PE Bag
 B=Tube
 C=Trey
 D=Reel
 Serial NO. 01-99



STANDARD TOLERANCE (EXCEPT SPECIFIED)	ANGLES
LINER	0.° ± 3°
	.0° ± 2°
	.00° ± 1°

LDCONN 东莞连大精密制品有限公司		Dongguan Lianda Precision Products Co., LTD	
TITLE	FILE Name: Mechanical Pin/ins. Header Pcs: 8 Header for Stock: 100	DRAWN BY	Lu Junhui
PART NO	L488X-01XX	CHECKED BY	
DRAWING NO		APPROVED BY	
SCALE	1:1	UNIT	mm
		PAGE	1/1
		SIZE	A4