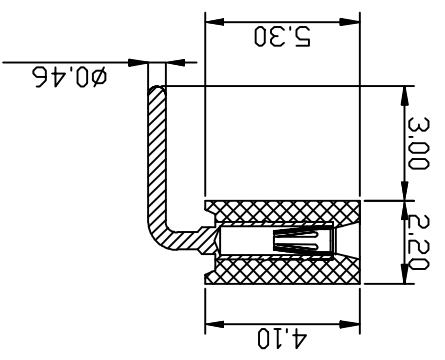
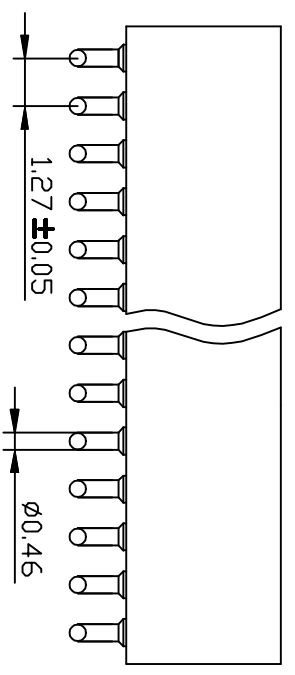
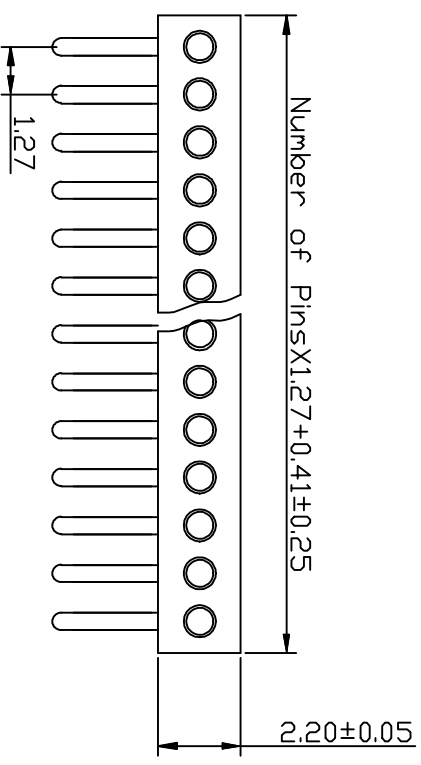


HSE ROHS

REV	REV NO	DESCRIPTION	DATE	NAME
1		NEW		

Technical Specs:

Insulator: Black glass filled polyester PCT-GF30-FR
 Flammability: UL 94V-0
 Sleeve: Brass(H59-3)
 Contact clip(3 finger):Beryllium copper(C17300)
 Accepted pin: $\phi 0.38$ to 0.50mm
 Forces: (polished steel gauge $\phi 0.41\text{mm}$)
 -Insertion 0.5N Typ
 -Withdrawal 0.2N Typ
 Mechanical life: min500 cycles
 Rated current: 1A
 Contact resistance: max 20m Ω
 Dielectric resistance: min 500V RMS



Ordering Information

L488XX - X X XX X

NO. of Pins Per Row: 01-40P

The connection method
 0=180°
 1=90°
 2=SKT

Contact Plating
 1=Gold flash
 2=Au/Tin
 3=TiN

Serial NO. 01-99

Packing
 A=PE Bag
 B=Tube
 C=Tray
 D=Reel

LDCONN 东莞连大精密制品有限公司 Dongguan Lianda Precision Products Co., LTD		Title: 1. Industrial Product Model Part 1 Single row pin type		DRAWN BY Lu Junhui	DATE 18.11.10
STANDARD TOLERANCE (EXCEPT SPECIFIED)	ANGLE(S)	PART NO L488X1-1XXXX	CHECKED BY		
LAYER 0 ±0.30 .00 ±0.20 .000 ±0.10	0° ±3° .0° ±2° .00° ±1°	DRAWING NO	APPROVED BY		
SCALE	1:1	UNIT	mm	PAGE	1/1
				SIZE	A4