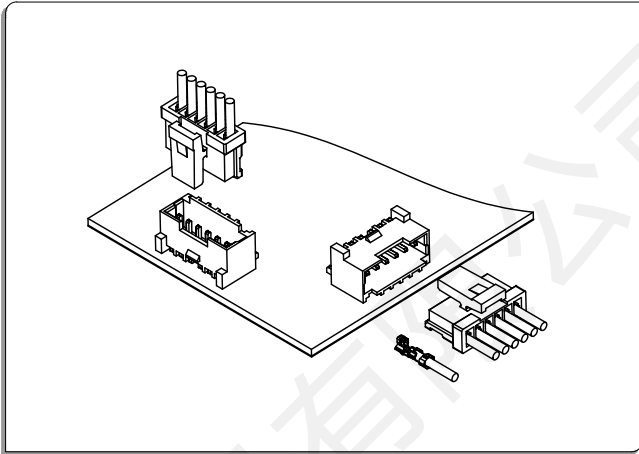


WT150K (MX1.5) Connector 1.5mm Pitch

WTB
1.5

WT150K (MX1.5) Connector 1.5mm Pitch

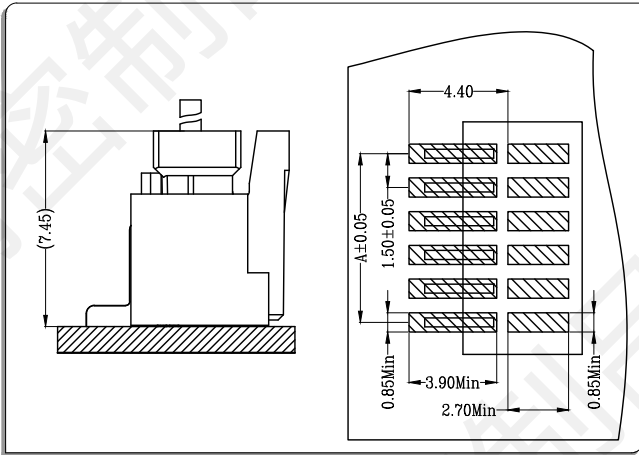


● 技术参数 SPECIFICATIONS

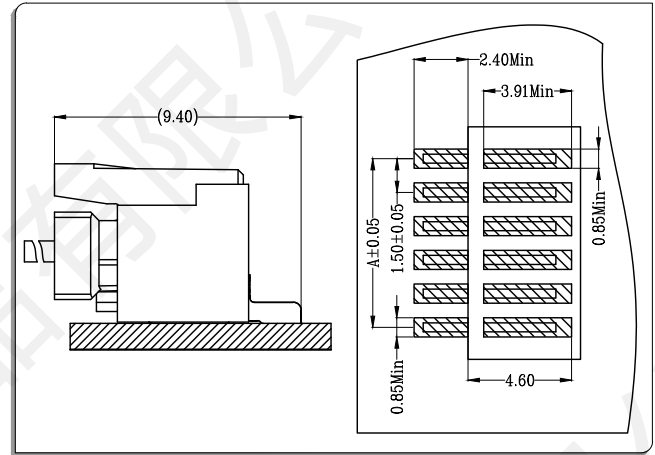
- 1、极数CKT: 2Pin to 16Pin
- 2、额定电流Current rating: 3A AC/DC
- 3、额定电压Voltage rating(max): 350V, AC/DC
- 4、工作温度Working Temperature: -25°C~+85°C, (含通电温度上升值)
(Including temperature rise in applying electrical current)
- 5、接触电阻Contact resistance: 初始Initial value $\leq 20m\Omega$
环境测试后After environmental testing $\leq 30m\Omega$
- 6、绝缘电阻Insulation resistance: $\geq 1000M\Omega$
- 7、耐电压Withstand voltage: 500VAC(rms)
- 8、适用线规 Applicable wire: AWG #28 to #24
- 9、适用基板厚度Applicable PC board thickness: 1.6mm to 2.0mm

● 安装尺寸 Mounting Measurement

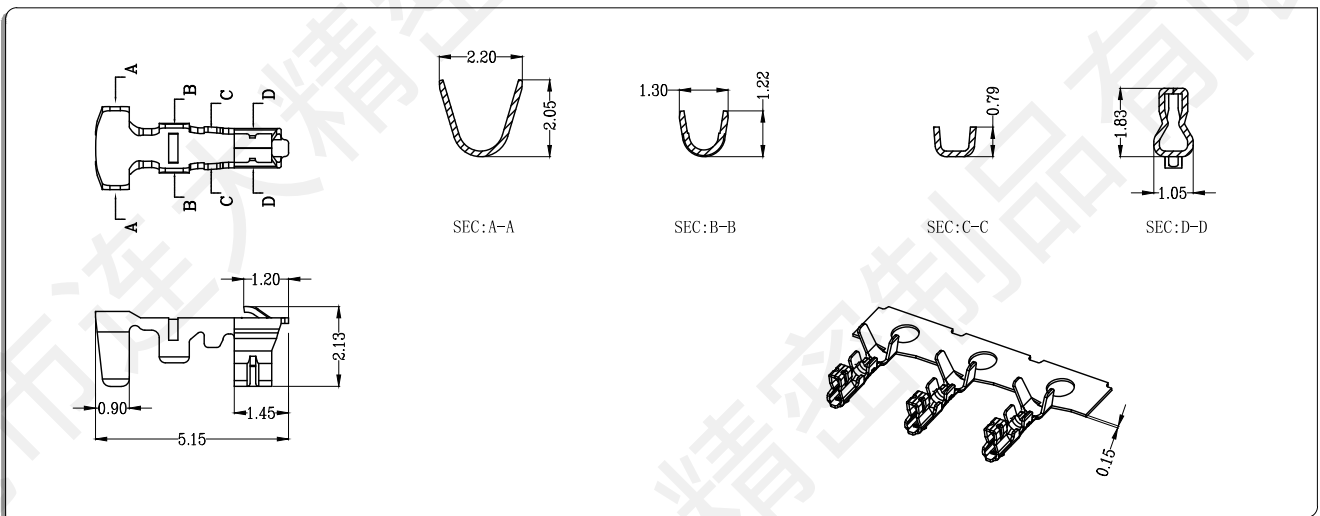
● 立式 Straight Angle



● 卧式 Right Angle



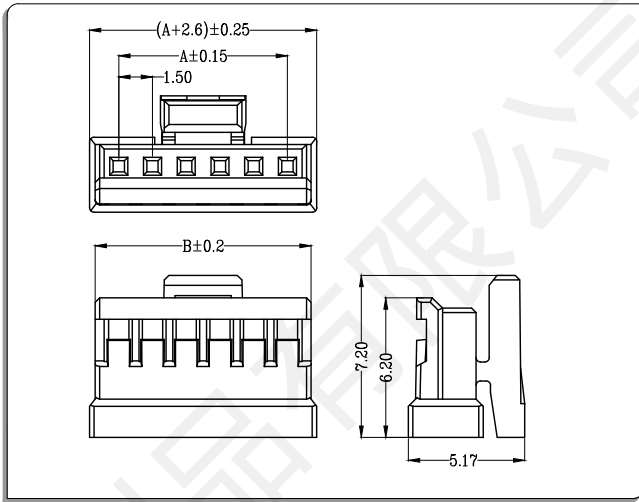
● 端子 Terminal: T=0.15mm



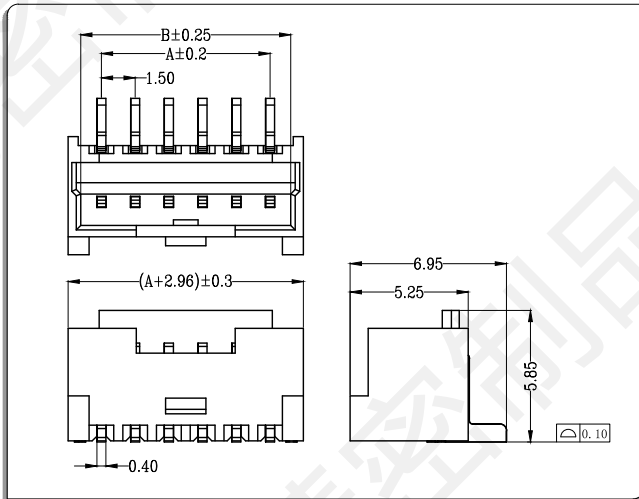
Part No.	Wire Range	Insulation O.D	Material	Finish
WT150K0-T0	AWG#28~#24	0.7~1.10mm MAX	phosphor bronze	Tin & Gold-plated

WT150K (MX1.5) Connector 1.5mm Pitch

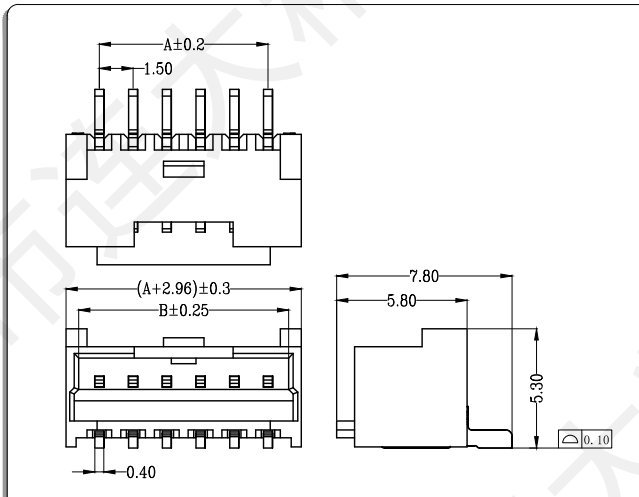
- 公头胶壳 Housing
- 材料Material: Nylon 66 UL94V-0



- 针座 Wafer
- 材料与表面处理 Material and Finish:
Housing:PA6T UL94V-0 & Terminal:Brass
Finish:Tin-plated & Gold-plated



- 材料与表面处理 Material and Finish:
Housing:PA6T UL94V-0 & Terminal:Brass
Finish:Tin-plated & Gold-plated



CKT	Part No	DIM A	DIM B
2	WT150K0-02	1.50	3.60
3	WT150K0-03	3.00	5.10
4	WT150K0-04	4.50	6.60
5	WT150K0-05	6.00	8.10
6	WT150K0-06	7.50	9.60
7	WT150K0-07	9.00	11.10
8	WT150K0-08	10.50	12.60
9	WT150K0-09	12.00	14.10
10	WT150K0-10	13.50	15.60
11	WT150K0-11	15.00	17.10
12	WT150K0-12	16.50	18.60
—	— —	—	—
16	WT150K0-16	22.50	24.60

CKT	Part No	DIM A	DIM B
2	WT150KL-02	1.50	3.35
3	WT150KL-03	3.00	4.85
4	WT150KL-04	4.50	6.35
5	WT150KL-05	6.00	7.85
6	WT150KL-06	7.50	9.35
7	WT150KL-07	9.00	10.85
8	WT150KL-08	10.50	12.35
9	WT150KL-09	12.00	13.85
10	WT150KL-10	13.50	15.35
11	WT150KL-11	15.00	16.85
12	WT150KL-12	16.50	18.35
—	— —	—	—
15	WT150KL-15	21.00	22.85

CKT	Part No	DIM A	DIM B
2	WT150KW-02	1.50	3.35
3	WT150KW-03	3.00	4.85
4	WT150KW-04	4.50	6.35
5	WT150KW-05	6.00	7.85
6	WT150KW-06	7.50	9.35
7	WT150KW-07	9.00	10.85
8	WT150KW-08	10.50	12.35
9	WT150KW-09	12.00	13.85
10	WT150KW-10	13.50	15.35
11	WT150KW-11	15.00	16.85
12	WT150KW-12	16.50	18.35
—	— —	—	—
15	WT150KW-15	21.00	22.85

WTB
1.5

WT150K (MX1.5) Connector 1.5mm Pitch