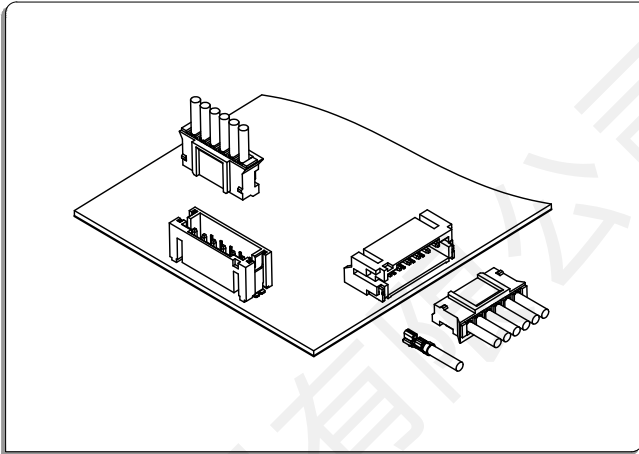


# WT200F (PH) Connector 2.0mm Pitch

WTB  
2.0

WT200F (PH) Connector 2.0mm Pitch

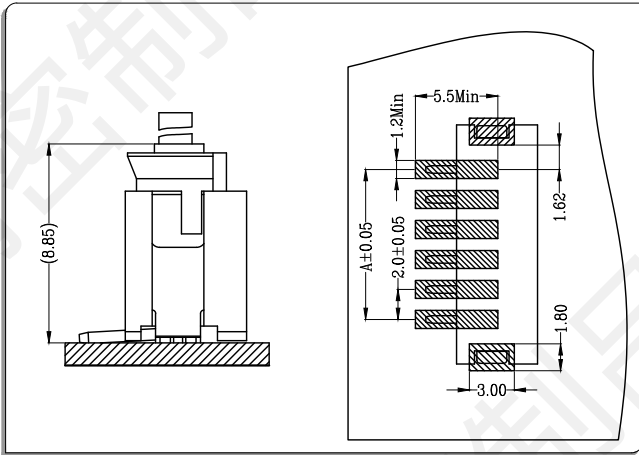


## ● 技术参数 SPECIFICATIONS

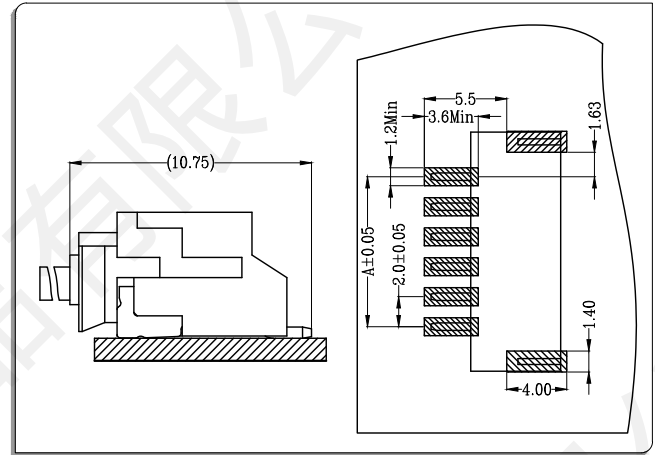
- 1、极数CKT: 2Pin to 20Pin
- 2、额定电流Current rating: 2A AC/DC
- 3、额定电压Voltage rating(max): 200V, AC/DC
- 4、工作温度Working Temperature: -25°C~+85°C, (含通电温度上升值)  
(Including temperature rise in applying electrical current)
- 5、接触电阻Contact resistance: 初始Initial value  $\leq 25\text{m}\Omega$   
环境测试后After environmental testing  $\leq 55\text{m}\Omega$
- 6、绝缘电阻Insulation resistance:  $\geq 1000\text{M}\Omega$
- 7、耐电压Withstand voltage: 500VAC(rms)
- 8、适用线规 Applicable wire: AWG #30 to #24
- 9、适用基板厚度Applicable PC board thickness: 1.6mm to 2.0mm

## ● 安装尺寸 Mounting Measurement

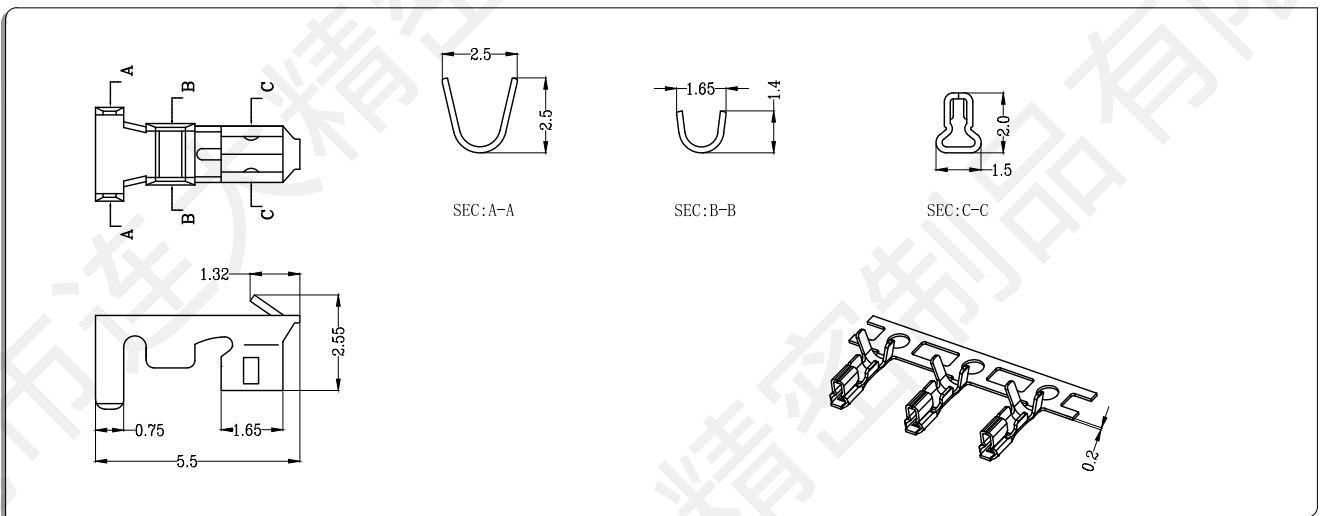
### ● 立式 Straight Angle



### ● 卧式 Right Angle



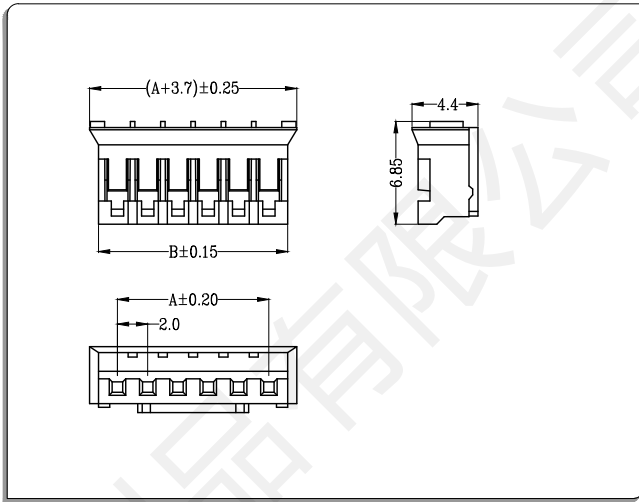
## ● 端子Terminal: T=0.2mm



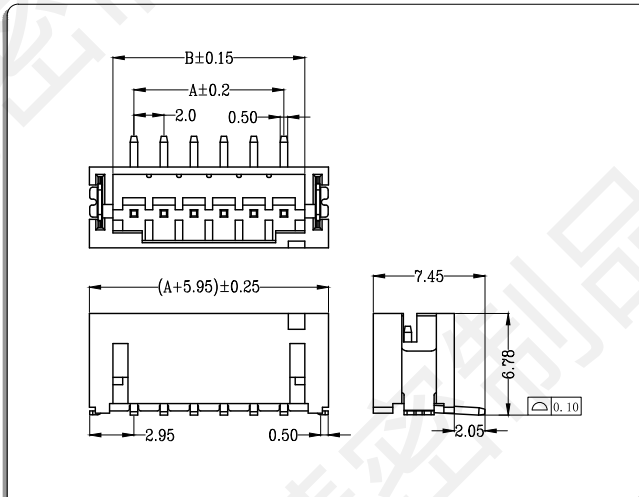
Part No.	Wire Range	Insulation O.D	Material	Finish
WT200FO—T0	AWG#30~#24	1.50mm MAX	phosphor bronze	Tin & Gold-plated

# WT200F (PH) Connector 2.0mm Pitch

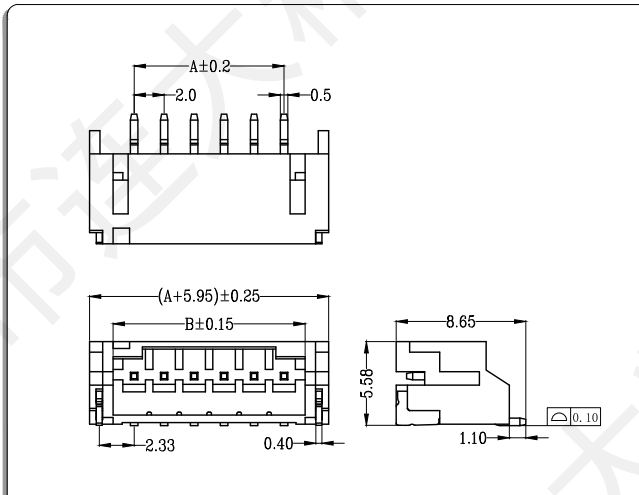
- 公头胶壳 Housing
- 材料Material: Nylon 66 UL94V-0



- 针座 Wafer
- 材料与表面处理 Material and Finish:  
Housing:LCP UL94V-0 & Terminal:Brass  
Fitting:Brass; Finish:Tin-plated & Gold-plated



- 材料与表面处理 Material and Finish:  
Housing:LCP UL94V-0 & Terminal:Brass  
Fitting:Brass; Finish:Tin-plated & Gold-plated



CKT	Part No	DIM A	DIM B
2	WT200F0-02	2.00	4.50
3	WT200F0-03	4.00	6.50
4	WT200F0-04	6.00	8.50
5	WT200F0-05	8.00	10.50
6	WT200F0-06	10.00	12.50
7	WT200F0-07	12.00	14.50
8	WT200F0-08	14.00	16.50
9	WT200F0-09	16.00	18.50
10	WT200F0-10	18.00	20.50
11	WT200F0-11	20.00	22.50
12	WT200F0-12	22.00	24.50
—	— —	—	—
16	WT200F0-16	30.00	32.50

CKT	Part No	DIM A	DIM B
2	WT200FL-02	2.00	4.80
3	WT200FL-03	4.00	6.80
4	WT200FL-04	6.00	8.80
5	WT200FL-05	8.00	10.80
6	WT200FL-06	10.00	12.80
7	WT200FL-07	12.00	14.80
8	WT200FL-08	14.00	16.80
9	WT200FL-09	16.00	18.80
10	WT200FL-10	18.00	20.80
11	WT200FL-11	20.00	22.80
12	WT200FL-12	22.00	24.80
—	— —	—	—
20	WT200FL-20	38.00	40.80

CKT	Part No	DIM A	DIM B
2	WT200FW-02	2.00	4.80
3	WT200FW-03	4.00	6.80
4	WT200FW-04	6.00	8.80
5	WT200FW-05	8.00	10.80
6	WT200FW-06	10.00	12.80
7	WT200FW-07	12.00	14.80
8	WT200FW-08	14.00	16.80
9	WT200FW-09	16.00	18.80
10	WT200FW-10	18.00	20.80
11	WT200FW-11	20.00	22.80
12	WT200FW-12	22.00	24.80
—	— —	—	—
20	WT200FW-20	38.00	40.80

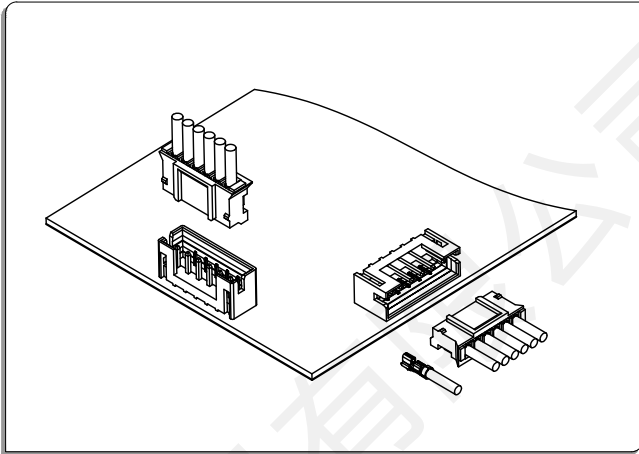
WTB  
2.0

WT200F (PH) Connector 2.0mm Pitch

# WT200F (PH) Connector 2.0mm Pitch

WTB  
2.0

WT200F (PH) Connector 2.0mm Pitch

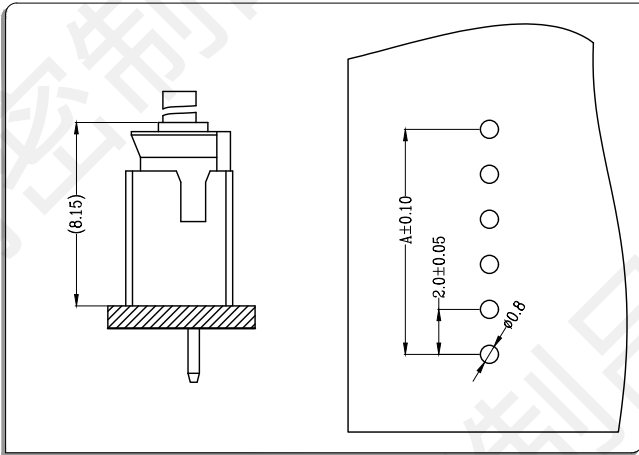


## ● 技术参数 SPECIFICATIONS

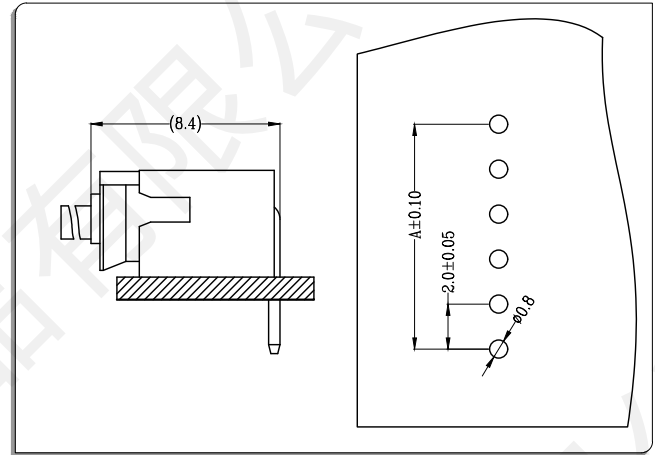
- 1、极数CKT: 2Pin to 20Pin
- 2、额定电流Current rating: 2A AC/DC
- 3、额定电压Voltage rating(max): 200V, AC/DC
- 4、工作温度Working Temperature:  $-25^{\circ}\text{C} \sim +85^{\circ}\text{C}$ ,  
(含通电温度上升值)  
(Including temperature rise in applying electrical current)
- 5、接触电阻Contact resistance: 初始Initial value  $\leq 25\text{m}\Omega$   
环境测试后After environmental testing  $\leq 55\text{m}\Omega$
- 6、绝缘电阻Insulation resistance:  $\geq 1000\text{M}\Omega$
- 7、耐电压Withstand voltage: 500VAC(rms)
- 8、适用线规 Applicable wire: AWG #30 to #24
- 9、适用基板厚度Applicable PC board thickness: 1.6mm to 2.0mm

## ● 安装尺寸 Mounting Measurement

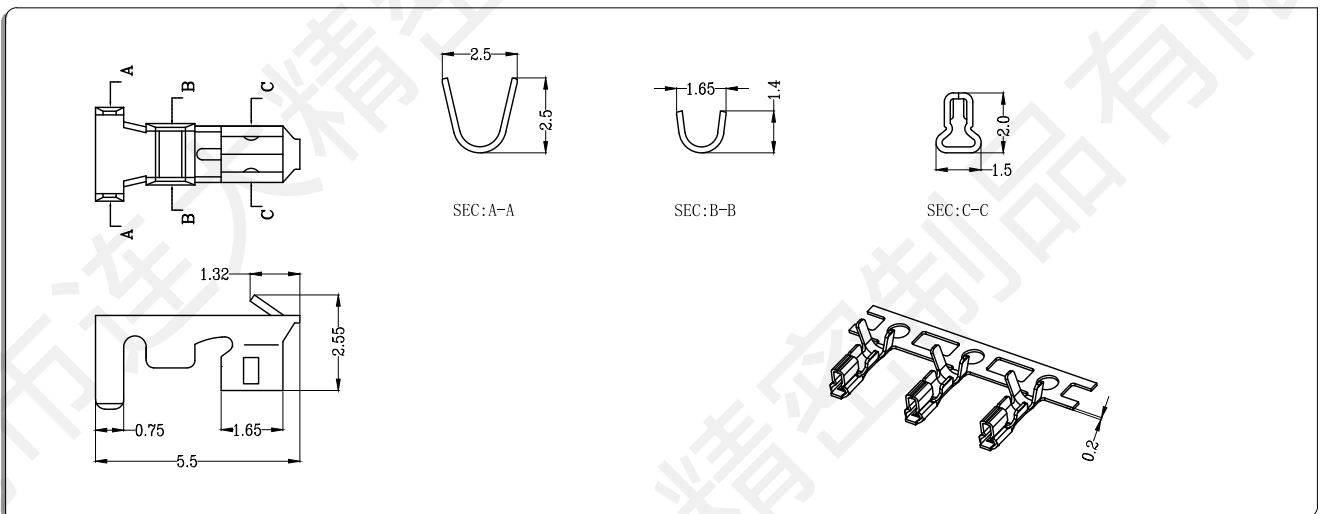
### ● 立式 Straight Angle



### ● 卧式 Right Angle



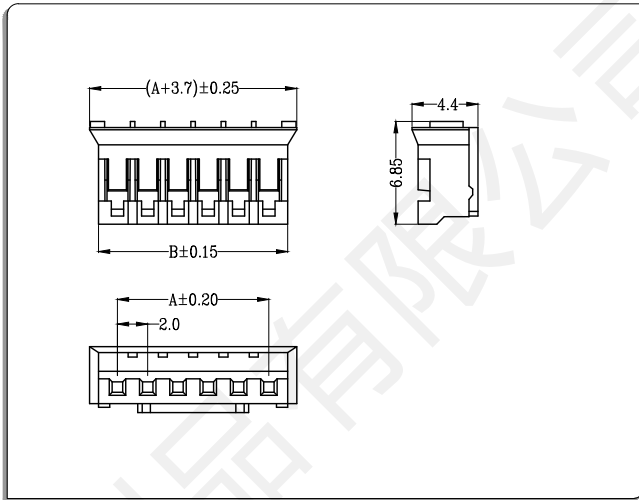
## ● 端子Terminal: T=0.2mm



Part No.	Wire Range	Insulation O.D	Material	Finish
WT200FO-T0	AWG#30~#24	1.50mm MAX	phosphor bronze	Tin & Gold-plated

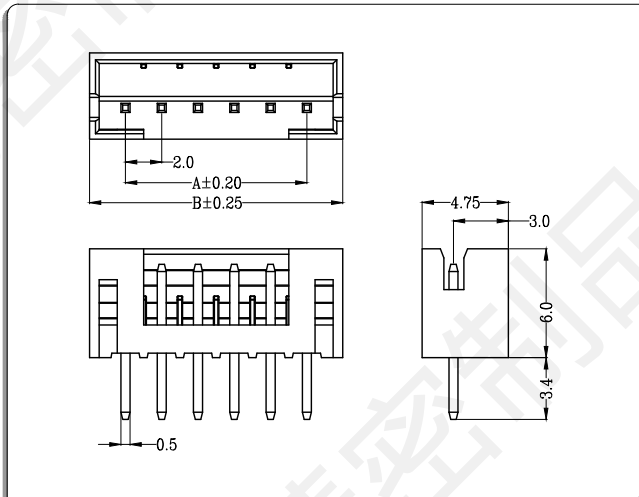
# WT200F (PH) Connector 2.0mm Pitch

- 公头胶壳 Housing
- 材料Material: Nylon 66 UL94V-0



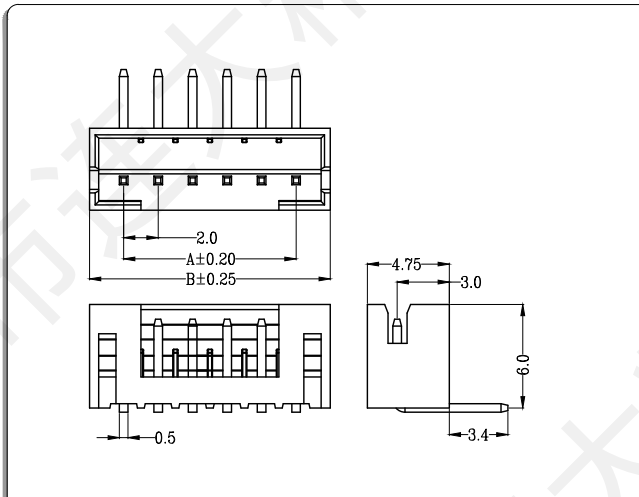
CKT	Part No	DIM A	DIM B
2	WT200F0-02	2.00	4.50
3	WT200F0-03	4.00	6.50
4	WT200F0-04	6.00	8.50
5	WT200F0-05	8.00	10.50
6	WT200F0-06	10.00	12.50
7	WT200F0-07	12.00	14.50
8	WT200F0-08	14.00	16.50
9	WT200F0-09	16.00	18.50
10	WT200F0-10	18.00	20.50
11	WT200F0-11	20.00	22.50
12	WT200F0-12	22.00	24.50
—	— —	—	—
16	WT200F0-16	30.00	32.50

- 针座 Wafer
- 材料与表面处理 Material and Finish:  
Housing:Nylon 66 UL94V-0 & Terminal:Brass  
Finish:Tin-plated & Gold-plated

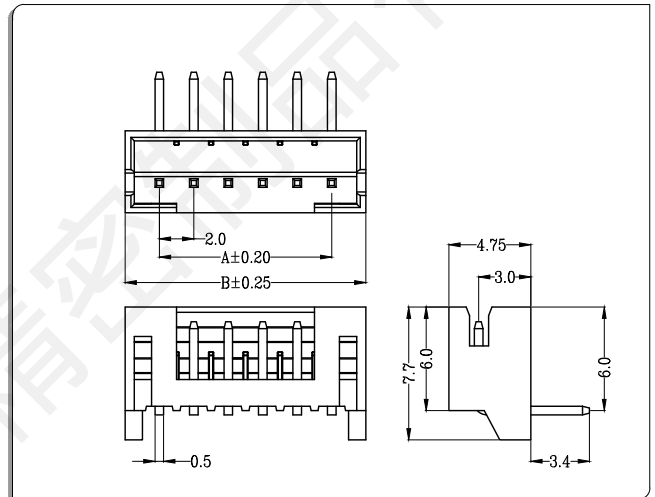


CKT	Part No	DIM A	DIM B
2	WT200FL-02	2.00	6.00
3	WT200FL-03	4.00	8.00
—	— —	—	—
20	WT200FL-20	38.00	42.00
2	WT200FW-02	2.00	6.00
3	WT200FW-03	4.00	8.00
—	— —	—	—
20	WT200FW-20	38.00	42.00
2	WT200FW-02	2.00	6.00
3	WT200FW-03	4.00	8.00
—	— —	—	—
20	WT200FW-20	38.00	42.00

- 材料与表面处理 Material and Finish:  
Housing:Nylon 66 UL94V-0 & Terminal:Brass  
Finish:Tin-plated & Gold-plated



- 材料与表面处理 Material and Finish:  
Housing:Nylon 66 UL94V-0 & Terminal:Brass  
Finish:Tin-plated & Gold-plated



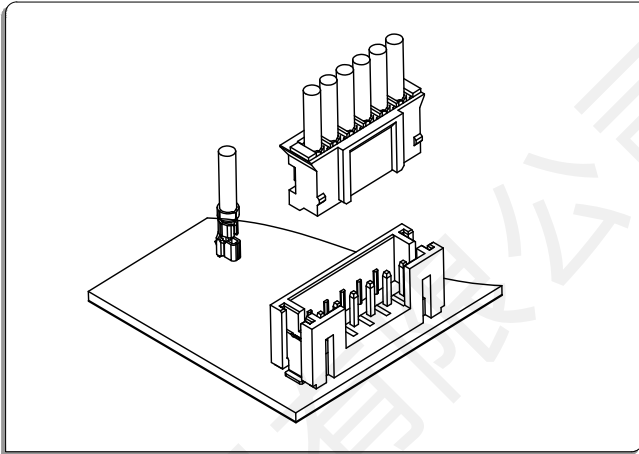
WTB  
2.0

WT200F (PH) Connector 2.0mm Pitch

# WT200F (PH) Connector 2.0mm Pitch

WTB  
2.0

WT200F (PH) Connector 2.0mm Pitch

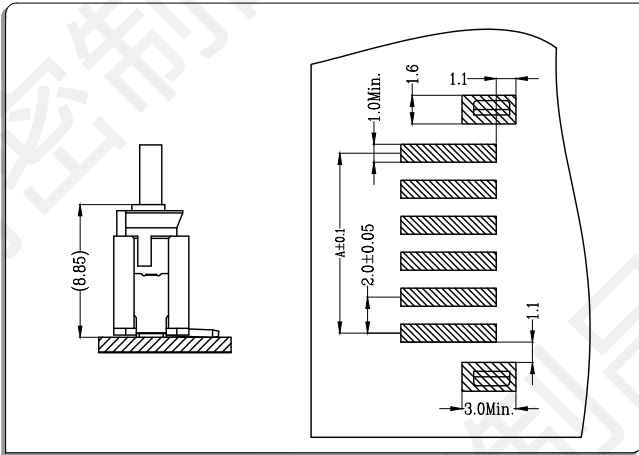


## ● 技术参数 SPECIFICATIONS

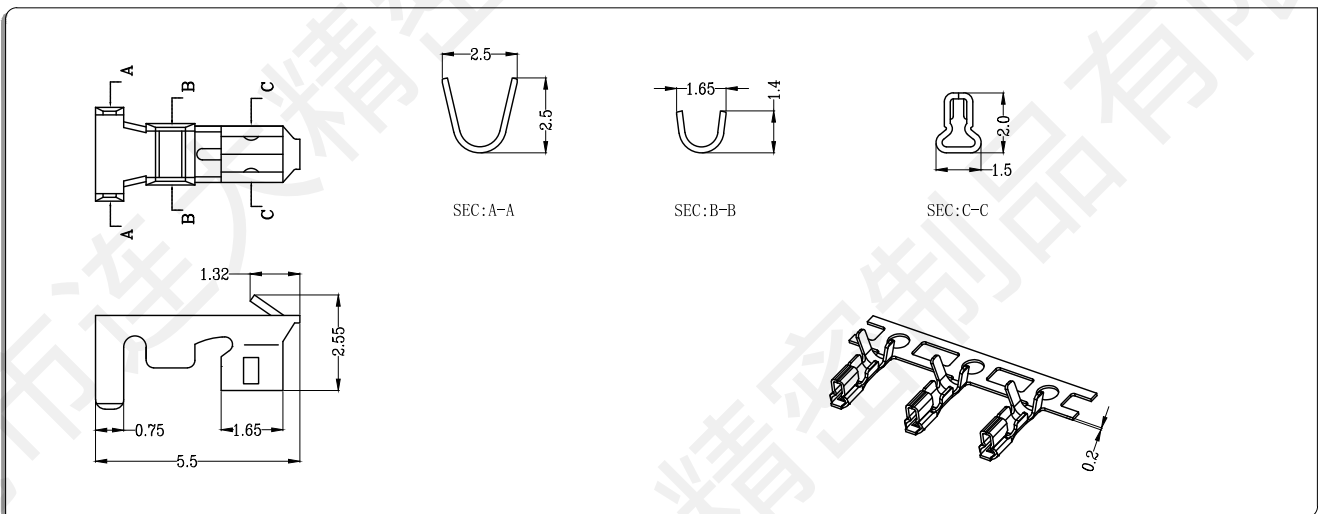
- 1、极数CKT: 2Pin to 20Pin
- 2、额定电流Current rating: 2A AC/DC
- 3、额定电压Voltage rating(max): 200V, AC/DC
- 4、工作温度Working Temperature: -25°C~+85°C, (含通电温度上升值)  
(Including temperature rise in applying electrical current)
- 5、接触电阻Contact resistance: 初始Initial value  $\leq 25m\Omega$   
环境测试后After environmental testing  $\leq 55m\Omega$
- 6、绝缘电阻Insulation resistance:  $\geq 1000M\Omega$
- 7、耐电压Withstand voltage: 500VAC(rms)
- 8、适用线规 Applicable wire: AWG #30 to #24
- 9、适用基板厚度Applicable PC board thickness: 1.6mm to 2.0mm

## ● 安装尺寸 Mounting Measurement

### ● 立式 Straight Angle



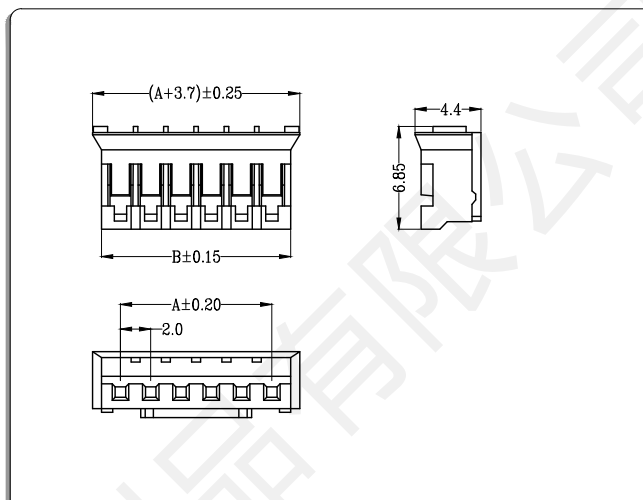
## ● 端子Terminal: T=0.2mm



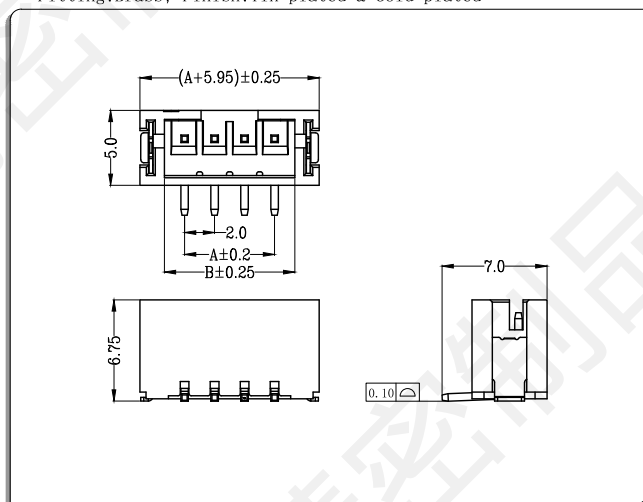
Part No.	Wire Range	Insulation O.D	Material	Finish
WT200FO-T0	AWG#30~#24	1.50mm MAX	phosphor bronze	Tin & Gold-plated

# WT200F (PH) Connector 2.0mm Pitch

- 公头胶壳 Housing
- 材料Material: Nylon 66 UL94V-0



- 针座 Wafer
- 材料与表面处理 Material and Finish:  
Housing:PA6T UL94V-0 & Terminal:Brass  
Fitting:Brass; Finish:Tin-plated & Gold-plated



CKT	Part No	DIM A	DIM B
2	WT200F0-02	2.00	4.50
3	WT200F0-03	4.00	6.50
4	WT200F0-04	6.00	8.50
5	WT200F0-05	8.00	10.50
6	WT200F0-06	10.00	12.50
7	WT200F0-07	12.00	14.50
8	WT200F0-08	14.00	16.50
9	WT200F0-09	16.00	18.50
10	WT200F0-10	18.00	20.50
11	WT200F0-11	20.00	22.50
12	WT200F0-12	22.00	24.50
—	— —	—	—
16	WT200F0-16	30.00	32.50

CKT	Part No	DIM A	DIM B
2	WT200FL-02	2.00	4.70
3	WT200FL-03	4.00	6.70
4	WT200FL-04	6.00	8.70
5	WT200FL-05	8.00	10.70
6	WT200FL-06	10.00	12.70
7	WT200FL-07	12.00	14.70
8	WT200FL-08	14.00	16.70
9	WT200FL-09	16.00	18.70
10	WT200FL-10	18.00	20.70
11	WT200FL-11	20.00	22.70
12	WT200FL-12	22.00	24.70
—	— —	—	—
20	WT200FL-20	38.00	40.70

WTB  
2.0

WT200F (PH) Connector 2.0mm Pitch